

## Specification sheet LX 1851

# LORO-X DUOSTREAM Cascade drainage for roof terrace

**Main drainage**

**Gravity flow**

**Silent**

**Discharge rate:** max. 4,0 l/sec

**Water height:** 35 mm

**Roof penetration:** -

**Diameter:** DN 100

**LX-Number:** LX 1851

**Weir height:** 0 mm

**Drain:** ventilated

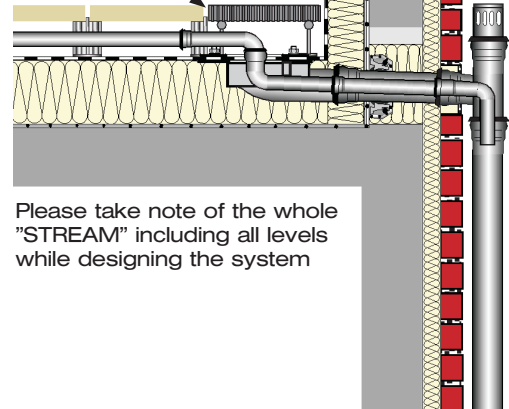
**Downpipe:** ventilated

**Downpipe height:** min. 2,5 m

**Drainage:** in sewer

**Flange:** clamping flange

**Discharge  
of the roof terrace**



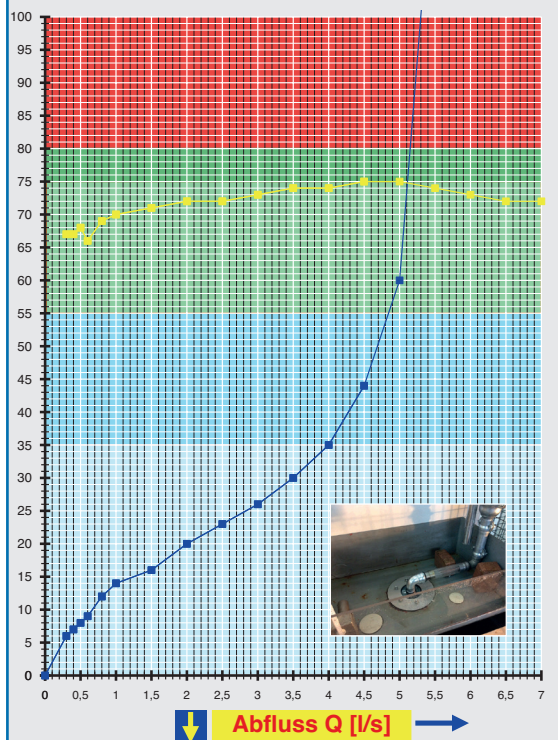
Please take note of the whole "STREAM" including all levels while designing the system

### LX 1851 Piece list

- 1 x Art.-No. 13612.100X Cascade drainage multi-storey drain
- 1 x Art.-No. 01401.100X Pipe with one socket
- 1 x Art.-No. 01401.050X Pipe with one socket
- 1 x Art.-No. 13500.100X Cascade drainage roof terrace deflection
- 1 x Art.-No. 13217.100X Ventilation piece for downpipe ventilation
- 1 x Art.-No. 13242.DBOX, Branch with bend for redirecting the overpressure flow

- 4 x Art.-No. 00911.050X Sealing elements
- 2 x Art.-No. 00911.100X Sealing elements
- 1 x Art.-No. 00986.000X Lubricant

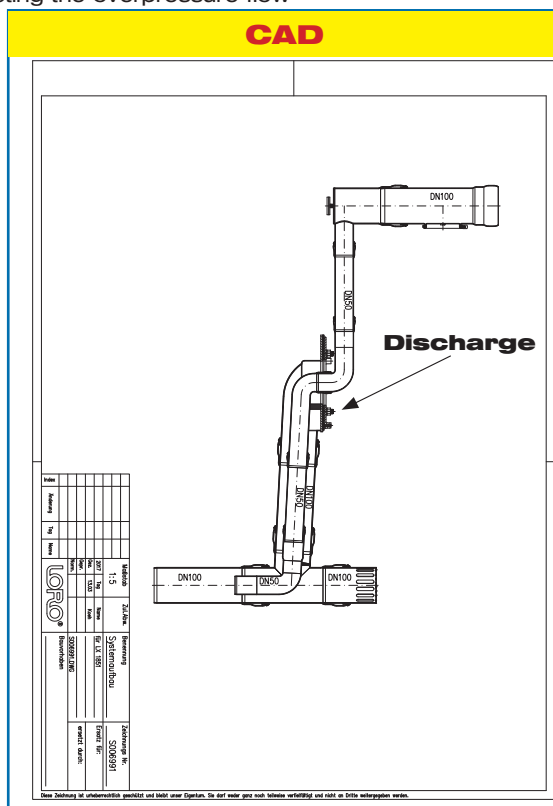
### hQ - Head Discharge curve



Abfluss Q [l/s]

Systempower

### CAD



Systemshape

Water height	mm	10	15	20	25	30	35	40	45	50	55	60	65	70	75	80	85	90	95	100
Discharge	l/sec	0,7	1,25	2	2,85	3,5	4,0	4,3	4,5	4,7	4,85	5,0	5,05	5,10	5,1	5,15	5,2	5,2	5,2	5,3

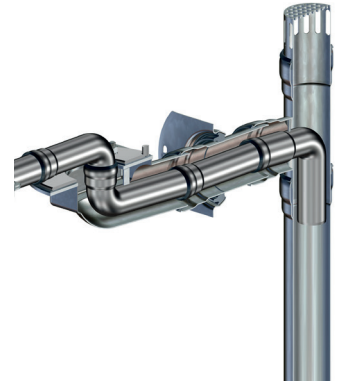
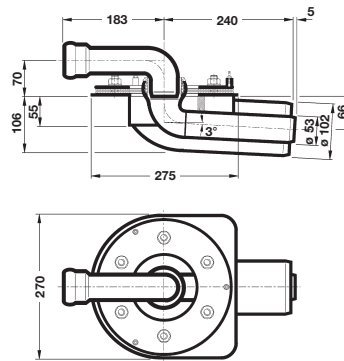
## LORO-X DUOSTREAM Cascade drainage for roof and roof terraces

**LX1851-4X**

### Series 88

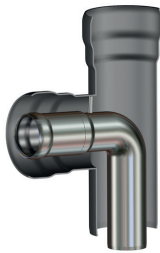
#### DUOSTREAM Main drainage

Drainage of the roof terrace (DN 100)  
Feed-through of the upper floors (DN 50)  
Drain: Art.-No. 13612.100X  
Weight: 5,8 kg



**LORO-Branch with bend - Pipe in Pipe-**  
for redirecting the overpressure flow in the following  
downpipe, made of galvanized steel

Art.-No. 13500.100X  
Weight: 3,1 kg



### LORO-X Ventilation piece

for downpipe ventilation,  
made of galvanized steel,  
DN 100

Art.-No. 13217.100X  
Weight: 0,7 kg



### LORO-Roof terrace deflection

from downpipe (DN 100)  
into offset over roof terrace (DN 50)

Art.-No. 13242.DB0X  
Weight: kg



### LORO-X Pipe with one socket,

made of galvanized steel  
length 250 mm  
Art.-No. 01401.050X  
Art.-No. 01401.100X



### LORO-Sealing elements

Art.-No. 00911.050X  
Art.-No. 00911.100X